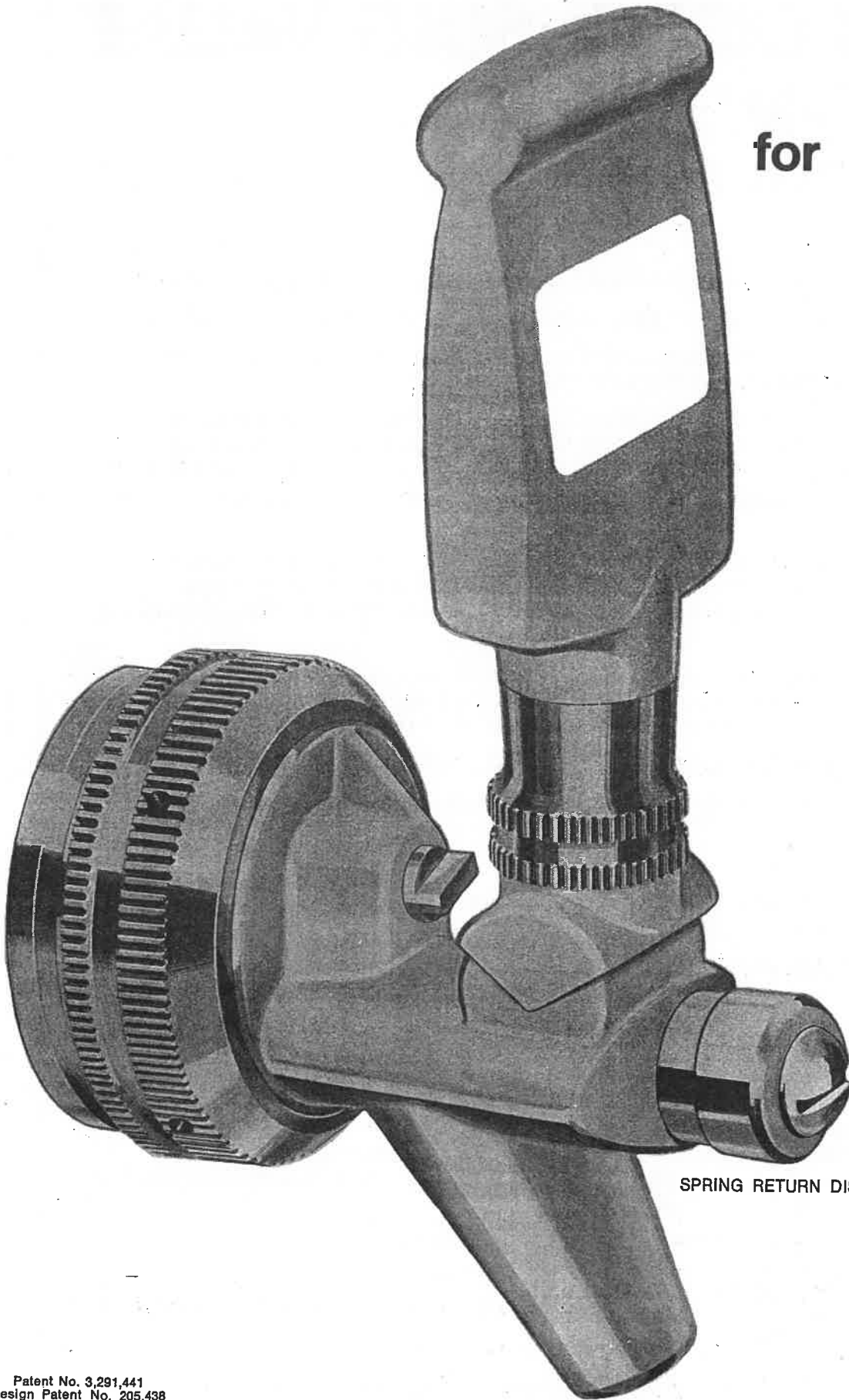


HANSEN DISPENSING VALVE

for
(PRE-MIX)



SPRING RETURN DISPENSING VALVE

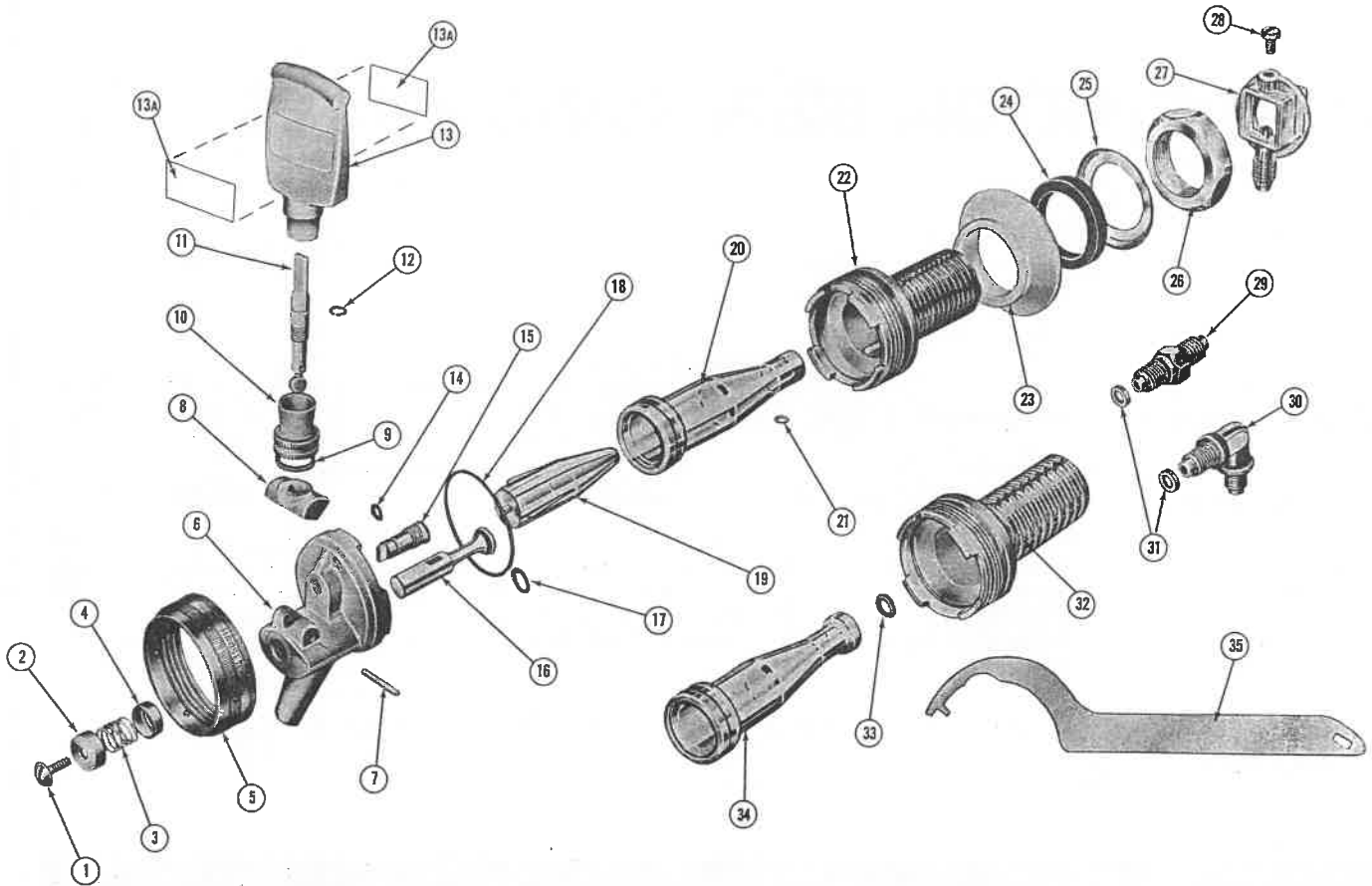
SERVICE DATA FOR HANSEN DISPENSING VALVE FOR PRE-MIX WITH SPRING RETURN SHUT-OFF

INSTALLATION

1. Loosen Set Screw **28** and remove Yoke Fitting **27**, or unscrew and remove Ell **30**.
2. Remove Mounting Nut **26** (left hand thread), Slip Washer **25**, and Panel Gasket **24**.
3. Line up slot in main housing with key in panel and fully insert Dispensing Valve, replacing Panel Gasket, Slip Washer and Mounting Nut.
4. Position Dispensing Valve vertically (handle on top), and tighten Mounting Nut to hold Valve firmly in place. At this point, if elbow **30** is used, reassemble it to the Regulator Body and tighten in place. **DO NOT OVER TORQUE** — The O'Ring Seal **33** effects a leak tight seal when only finger tight. Follow step 6(a) to position Elbow prior to attaching product line.
5. Attach Yoke Fitting **27** to product line. Cross threading can be avoided by rotating the mating parts in reverse until nut snaps into place; then rotate as usual until finger tight and firmly tighten in place to approximate the position of the Yoke on the Dispensing Valve.
6. (a) Loosen Faucet Housing Ring **5** (right hand thread) enough to allow Regulator Body **20** to swivel. (b) Locate Yoke Fitting **27** already attached to product line, and place against Yoke O'Ring **21** and snug up Set Screw **28** to Regulator Body **20**.
7. Tighten Faucet Housing Ring **5** using Hansen Spanner Wrench No. **35**.
8. Position Handle **13** on Valve Actuating Lever **11** and snap into place.

OPERATION

1. Make sure Valve is in "off" position (handle full back and vertical). Adjust friction collar **10**, if necessary, to allow spring to return Valve to "Closed" or "off" position.
2. Apply CO₂ pressure to system and open Valve (handle in full forward position) to bleed air from lines.
3. Check for leakage of Adapter **29** and Ell **30** at O'Ring **33**; Yoke Fitting **27** at O'Ring **21** and Faucet Housing Washer **18**.
4. Draw one or two drinks to determine dispensing rate.
5. To REDUCE rate of flow: turn Flow Adjustor **15** clockwise.
Note: Use Hansen Spanner Wrench **35** to make flow adjustments.
CAUTION: Flow Adjustor **15** is designed to adjust the flow only. It will NOT shut-off flow completely. **DO NOT OVER TORQUE**
6. To INCREASE rate of flow: turn Flow Adjustor **15** counterclockwise.
7. Use the Dispensing Valve Handle to start and stop the flow only. Temperature of dispensed product is important. Maintain recommended temperatures for dispensing PRE-MIX.



ITEM NO.	PART NO.	PART NAME	ITEM NO.	PART NO.	PART NAME
1	300-028	Machine Screw	19	300-016	Flow Regulator
2	300-027	Valve Spring Cover	20	300-015	Regulator Body
3	300-026	Valve Spring	21	300-122	Yoke O'Ring
4	300-025	Valve Spring Cup			Pkg. 12
5	300-007	Faucet Housing Ring	22	300-019	Regulator Housing
6	300-116	Faucet Housing 'Black'	23	300-130	Spacer
7	300-010	Pivot Pin	24	300-020	Panel Gasket
8	300-115	Pivot Pin Retainer 'Black'	25	300-021	Slip Washer
9	300-119	Friction Washer	26	300-022	Mounting Nut
10	300-012	Friction Collar	27	300-023	Yoke Fitting 1/2"-16 MT
11	300-009	Lever	27	300-031	Yoke Fitting 7/16"-20 MT
12	300-013	Tension Ring	28	300-024	Yoke Set Screw
13	300-118	Handle 'Black'	29	PA-394	Adapter 7/16"-20 x 7/16"-20 MT
13A		Product Labels	29	PA-386	Adapter 7/16"-20 x 1/2"-16 MT
14	300-120	Adjustor O'Ring	30	PHR-40	Ell 7/16"-20 x 7/16"-20 MT
15	300-008	Flow Adjustor	30	PHR-41	Ell 7/16"-20 x 1/2"-16 MT
16	300-057	Valve Stem (Stn. St.)	31	300-131	Washer (Stn. St.)
16	300-057-1	Valve Stem (Stn. St.) (with Washer)	32	300-056	Regulator Housing
17	300-006	Valve Seal Washer	33	300-123	O'Ring
18	300-121	Faucet Housing Washer	34	300-054	Regulator Body
			35	300-029	Wrench

*Refer to the back page for the correct Part Number for a specific label.

HANSEN PRE-MIX DISPENSING VALVES

DIGIT IDENTIFICATION

DISPENSING VALVE (3)



Use one identifying digit from each of the major component parts list for a specific Dispensing Valve Part Number.

END CONNECTION

7/16"-20	3
1/2"-16	4

END CONNECTION STYLE

Yoke	1
Female Straight*	2
Male Straight	3
Male 90° Ell	4
*Operation Port 7/16"-20 only.	

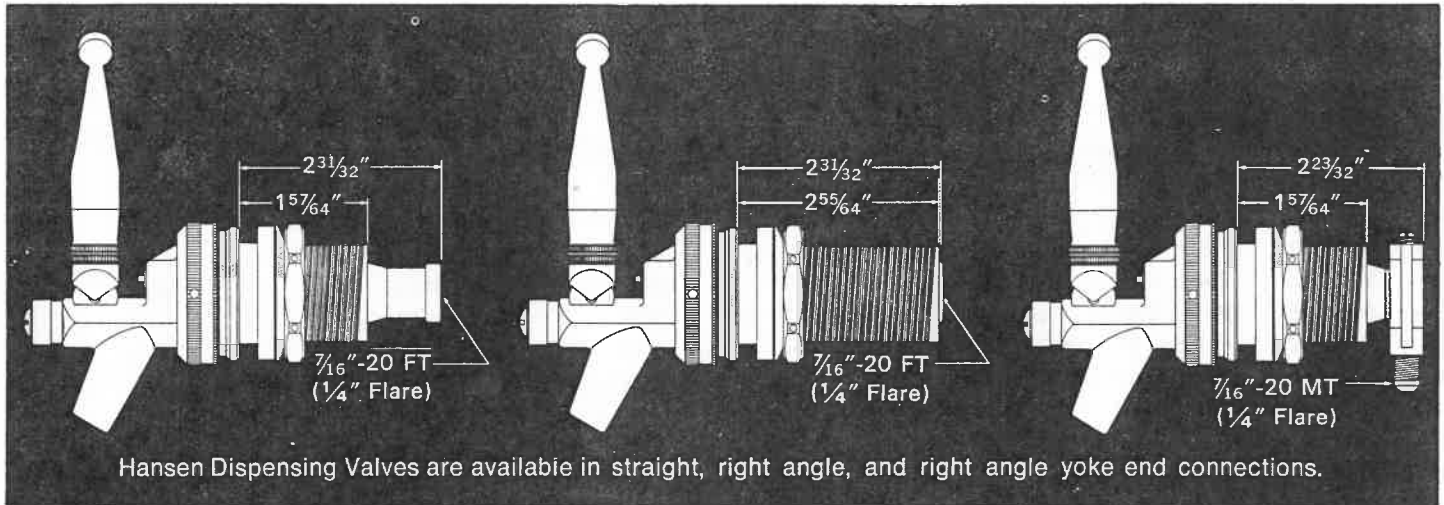
HOUSING STYLE

Panel Short	0
Panel Long	1
†Panel Short w/spacer ..	2
†Panel Long w/spacer ..	3
†Not included in model price.	

COLOR

Red	00
Green	01
Blue	02
Grey	03
Black	04

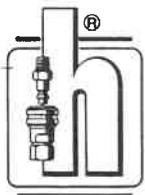
EXAMPLE: 331-002 is a Blue Dispensing Valve with a right angle yoke (7/16"-20) end connection and a short panel housing mount.



LABELS

Please specify part number and product description when ordering labels for dispensing valve handles. For labels other than those listed, see your Hansen representative.

3952-01 Ice Water	3952-04 Root Beer	3952-07 Cherry	3952-10 Lemon Lime	3952-13 Cola
3952-02 Soda Water	3952-05 Club Soda	3952-08 Strawberry	3952-11 Quinine	3952-14 Lemon
3952-03 Ginger Ale	3952-06 Grape	3952-09 Orange	3952-12 Grapefruit	



THE HANSEN MANUFACTURING COMPANY

4031 West 150th Street • Cleveland, Ohio 44135

Printed in U.S.A.
Form No. S 152B